

Discover the prototype of
our fully autonomous
strawberry picking robot!



OCTINION
Engineering the future

Highlights

- ✿ Picking quality, picking speed and sorting quality like the ideal human picker
- ✿ Only picking if the action won't bruise strawberries
- ✿ Damage-free picking of 70% of all ripe strawberries
- ✿ Advanced quality monitoring to allow sorting, crop monitoring and precision farming

Do you want to be kept up to date on when the robot will be commercially available? Follow us on www.picking.technology



OCTINION

Octinion is an Innovative R&D company specialised in mechatronic product development and test & measurement solutions, with focus on the agriculture and food industry

Interleuvenlaan 46 - B-3001 Heverlee-Leuven
+32 16 38 73 10 - info@octinion.com
www.octinion.com

Strawberry picking 2.0

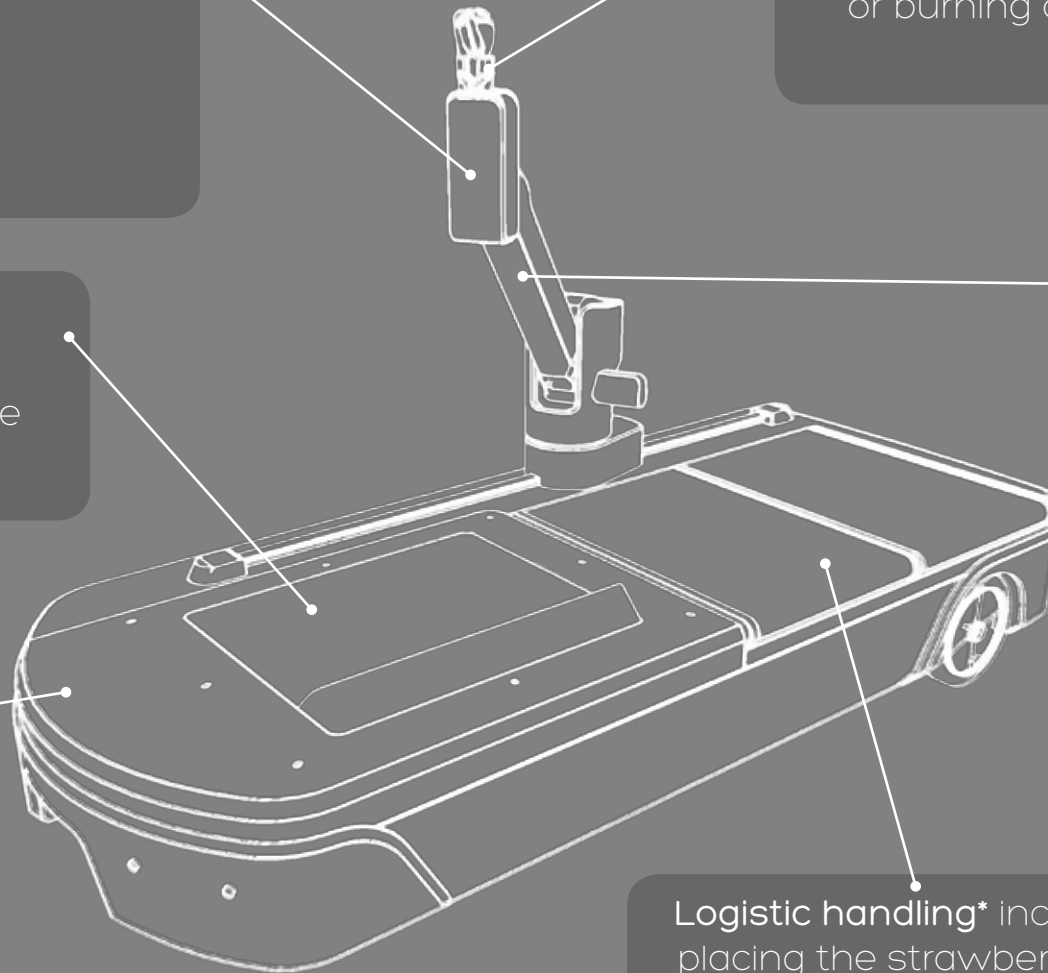
Superhuman quality
Superhuman speed
Robot autonomy

Advanced quality monitoring*

- sort according to size and quality
- picking can be conditional on strawberry characteristics
- predict harvest
- precision farming

3D vision for detection and localisation of ripe strawberries.

Autonomous navigation based on local beacons. No structural changes to your greenhouse necessary. Fully flexible solution. Centimeter precision.



Patented soft touch gripper. Same damage to the strawberries as a human picker. Human touch technology: no cutting or burning of the stem, but actual picking.

Patented robotic arm. Only picks if this is possible without bruising the strawberries. Has a capacity of picking one strawberry every 3 seconds.

Logistic handling* including placing the strawberries in their final packaging.